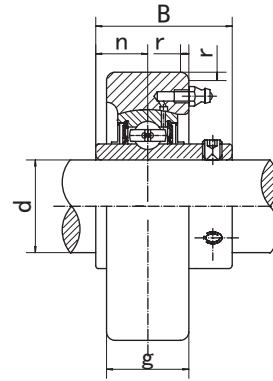
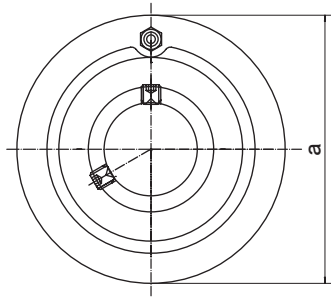


UCC2 (Normal-duty)

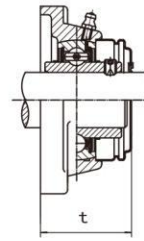
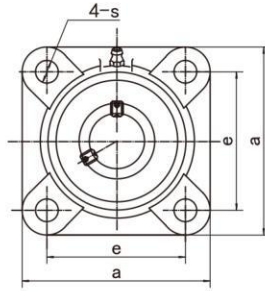
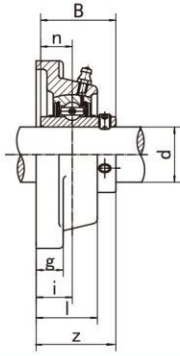
Cartridge Units



Unit NO.	Dimensions (mm / in.)						Bearing No.	Housing No.	Weight (kg)
	d	a	g	r	B	n			
UCC201 201-8	12 1/2	72 2.8346	20 25/32	2 0.079	31 1.2205	12.7 0.500	UC201 UC201-8	C201	0.52 0.51
UCC202 202-9 202-10	15 9/16 5/8	72 2.8346	20 25/32	2 0.079	31 1.2205	12.7 0.500	UC202 UC202-9 UC202-10	C202	0.51 0.51 0.51
UCC203 203-11	17 11/16	72 2.8346	20 25/32	2 0.079	31 1.2205	12.7 0.500	UC203 UC203-11	C203	0.50 0.49
UCC204 204-12	20 3/4	72 2.8346	20 25/32	2 0.079	31 1.2205	12.7 0.500	UC204 UC204-12	C204	0.48 0.48
UCC205 205-13 205-14 205-15 205-16	25 13/16 7/8 15/16 1	80 3.1496	22 55/64	2 0.079	34.1 1.3425	14.3 0.563	UC205 UC205-13 UC205-14 UC205-15 UC205-16	C205	0.63 0.67 0.66 0.64 0.63
UCC206 206-17 206-18 206-19 206-20	30 1-1/16 1-1/8 1-3/16 1-1/4	85 3.3465	27 1-1/16	2 0.079	38.1 1.5000	15.9 0.626	UC206 UC206-17 UC206-18 UC206-19 UC206-20	C206	0.79 0.80 0.81 0.79 0.78
UCC207 207-20 207-21 207-22 207-23	35 1-1/4 1-5/16 1-3/8 1-7/16	90 3.5433	28 1-7/64	2 0.079	42.9 1.6890	17.5 0.689	UC207 UC207-20 UC207-21 UC207-22 UC207-23	C207	0.88 0.94 0.91 0.88 0.85
UCC208 208-24 208-25	40 1-1/2 1-9/16	100 3.9370	30 1-3/16	2.5 0.098	49.2 1.9370	19 0.748	UC208 UC208-24 UC208-25	C208	1.17 1.21 1.18
UCC209 209-26 209-27 209-28	45 1-5/8 1-11/16 1-3/4	110 4.3307	31 1-7/32	2.5 0.098	49.2 1.9370	19 0.748	UC209 UC209-26 UC209-27 UC209-28	C209	1.46 1.56 1.52 1.48
UCC210 210-29 210-30 210-31 210-32	50 1-13/16 1-7/8 1-15/16 2	120 4.7244	33 1-19/64	2.5 0.098	51.6 2.0315	19 0.748	UC210 UC210-29 UC210-30 UC210-31 UC210-32	C210	1.85 1.97 1.92 1.87 1.83
UCC211 211-32 211-33 211-34 211-35	55 2 2-1/16 2-1/8 2-3/16	125 4.9213	35 1-3/8	2.5 0.098	55.6 2.1890	22.2 0.874	UC211 UC211-32 UC211-33 UC211-34 UC211-35	C211	2.05 2.20 2.14 2.10 2.03
UCC212 212-36 212-37 212-38 212-39	60 2-1/4 2-5/16 2-3/8 2-7/16	130 5.1181	38 1-1/2	2.5 0.098	65.1 2.5630	25.4 1.000	UC212 UC212-36 UC212-37 UC212-38 UC212-39	C212	2.36 2.49 2.41 2.34 2.27
UCC213 213-40 213-41	65 2-1/2 2-9/16	140 5.5118	40 1-37/64	3 0.118	65.1 2.5630	25.4 1.000	UC213 UC213-40 UC213-41	C213	2.79 2.88 2.79

Flange Units (Square)

UCF2 (Normal-duty)

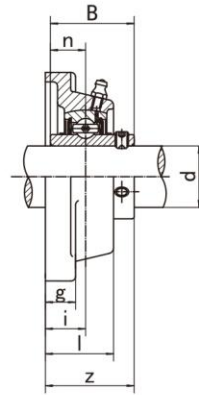
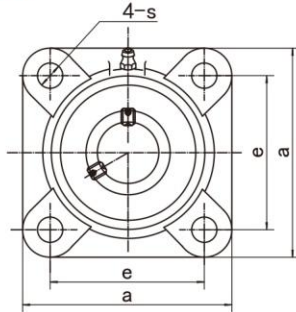


UCF-C₁(D₁)

Unit NO.	Dimensions (mm / in.)											Bolt Size mm/in.	Bearing No.	Housing No.	Weight (kg)
	d	a	e	i	g	l	s	z	t	B	n				
UCF201 201-8	12 1/2	86 3-3/8	64 2-33/64	15 19/32	12 15/32	25.5 1	12 15/32	33.3 1-5/16	37.5 1-31/64	31 1.2205	12.7 0.500	M10 3/8	UC201 UC201-8	F201	0.59 0.58
UCF202 202-9 202-10	15 9/16 5/8	86 3-3/8	64 2-33/64	15 19/32	12 15/32	25.5 1	12 15/32	33.3 1-5/16	37.5 1-31/64	31 1.2205	12.7 0.500	M10 3/8	UC202 UC202-9 UC202-10	F202	0.58 0.58 0.58
UCF203 203-11	17 11/16	86 3-3/8	64 2-33/64	15 19/32	12 15/32	25.5 1	12 15/32	33.3 1-5/16	37.5 1-31/64	31 1.2205	12.7 0.500	M10 3/8	UC203 UC203-11	F203	0.57 0.56
UCF204 204-12	20 3/4	86 3-3/8	64 2-33/64	15 19/32	12 15/32	25.5 1	12 15/32	33.3 1-5/16	37.5 1-31/64	31 1.2205	12.7 0.500	M10 3/8	UC204 UC204-12	F204	0.55 0.55
UCF205 205-13 205-14 205-15 205-16	25 13/16 7/8 15/16 1	95 3-3/4	70 2-3/4	16 5/8	14 35/64	27 1-1/16	12 15/32	35.8 1-13/32	40 1-9/16	34.1 1.3425	14.3 0.563	M10 3/8	UC205 UC205-13 UC205-14 UC205-15 UC205-16	F205	0.73 0.77 0.76 0.74 0.73
UCF206 206-17 206-18 206-19 206-20	30 1-1/16 1-1/8 1-3/16 1-1/4	108 4-1/4	83 3-17/64	18 45/64	14 35/64	31 1-7/32	12 15/32	40.2 1-19/32	44.5 1-3/4	38.1 1.5000	15.9 0.626	M10 3/8	UC206 UC206-17 UC206-18 UC206-19 UC206-20	F206	1.02 1.03 1.04 1.02 1.01
UCF207 207-20 207-21 207-22 207-23	35 1-1/4 1-5/16 1-3/8 1-7/16	117 4-39/64	92 3-5/8	19 3/4	16 5/8	34 1-11/32	14 35/64	44.4 1-3/4	48.5 1-29/32	42.9 1.6890	17.5 0.689	M12 7/16	UC207 UC207-20 UC207-21 UC207-22 UC207-23	F207	1.33 1.40 1.37 1.34 1.31
UCF208 208-24 208-25	40 1-1/2 1-9/16	130 5-1/8	102 4-1/64	21 53/64	16 5/8	36 1-27/64	16 5/8	51.2 2-1/64	55.5 2-3/16	49.2 1.9370	19 0.748	M14 1/2	UC208 UC208-24 UC208-25	F208	1.67 1.71 1.68
UCF209 209-26 209-27 209-28	45 1-5/8 1-11/16 1-3/4	137 5-13/32	105 4-9/64	22 55/64	18 23/32	38 1-1/2	16 5/8	52.2 2-1/16	56.5 2-7/32	49.2 1.9370	19 0.748	M14 1/2	UC209 UC209-26 UC209-27 UC209-28	F209	2.00 2.10 2.06 2.02
UCF210 210-29 210-30 210-31 210-32	50 1-13/16 1-7/8 1-15/16 2	143 5-5/8	111 4-3/8	22 55/64	18 23/32	40 1-9/16	16 5/8	54.6 2-5/32	59.5 2-11/32	51.6 2.0315	19 0.748	M14 1/2	UC210 UC210-29 UC210-30 UC210-31 UC210-32	F210	2.32 2.44 2.39 2.34 2.30
UCF211 211-32 211-33 211-34 211-35	55 2 2-1/16 2-1/8 2-3/16	162 6-3/8	130 5-1/8	25 63/64	20 25/32	43 1-11/16	19 3/4	58.4 2-5/16	63 2-31/64	55.6 2.1890	22.2 0.874	M16 5/8	UC211 UC211-32 UC211-33 UC211-34 UC211-35	F211	3.12 3.27 3.21 3.17 3.10
UCF212 212-36 212-37 212-38 212-39	60 2-1/4 2-5/16 2-3/8 2-7/16	175 6-57/64	143 5-5/8	29 1-9/64	20 25/32	48 1-57/64	19 3/4	68.7 2-45/64	73.5 2-57/64	65.1 2.5630	25.4 1.000	M16 5/8	UC212 UC212-36 UC212-37 UC212-38 UC212-39	F212	3.95 4.08 4.00 3.93 3.86
UCF213 213-40 213-41	65 2-1/2 2-9/16	187 7-23/64	149 5-55/64	30 1-3/16	22 55/64	50 1-31/32	19 3/4	69.7 2-3/4	74.5 2-15/16	65.1 2.5630	25.4 1.000	M16 5/8	UC213 UC213-40 UC213-41	F213	4.81 4.90 4.81
UCF214 214-42 214-43 214-44	70 2-5/8 2-11/16 2-3/4	193 7-19/32	152 5-63/64	31 1-7/32	22 55/64	54 2-1/8	19 3/4	75.4 2-31/32	81.5 3-13/64	74.6 2.9370	30.2 1.189	M16 5/8	UC214 UC214-42 UC214-43 UC214-44	F214	5.42 5.63 5.53 5.43
UCF215 215-45 215-46 215-47 215-48	75 2-13/16 2-7/8 2-15/16 3	200 7-7/8	159 6-17/64	34 1-11/32	22 55/64	56 2-7/32	19 3/4	78.5 3-3/32	83.5 3-9/32	77.8 3.0630	33.3 1.311	M16 5/8	UC215 UC215-45 UC215-46 UC215-47 UC215-48	F215	5.94 6.19 6.08 5.88
UCF216 216-49 216-50 216-51	80 3-1/16 3-1/8 3-3/16	208 8-3/16	165 6-1/2	34 1-11/32	22 55/64	58 2-9/32	23 29/32	83.3 3-9/32	88.5 3-31/64	82.6 3.2520	33.3 1.311	M20 3/4	UC216 UC216-49 UC216-50 UC216-51	F216	6.94 7.12 6.99 6.86
UCF217 217-52 217-53 217-55	85 3-1/4 3-5/16 3-7/16	220 8-21/23	175 6-57/64	36 1-27/64	24 15/16	63 2-15/32	23 29/32	87.6 3-7/16	92.6 3-41/64	85.7 3.3740	34.1 1.343	M20 3/4	UC217 UC217-52 UC217-53 UC217-55	F217	8.67 8.79 8.75 8.46
UCF218 218-56	90 3-1/2	235 9-1/4	187 7-23/64	40 1-37/64	24 15/16	68 2-11/16	23 29/32	96.3 3-25/32	101.5 4	96 3.7795	39.7 1.5630	M20 3/4	UC218 UC218-56	F218	10.62 10.73

Flange Units (Square)

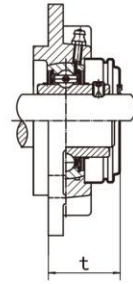
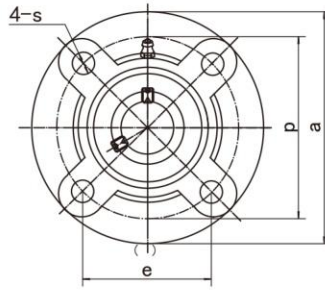
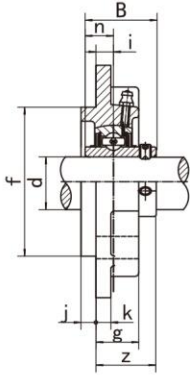
UCF3 (Heavy-duty)



Unit NO.	Dimensions (mm / in.)										Bolt Size mm/in.	Bearing No.	Housing No.	Weight (kg)
	d	a	e	i	g	l	s	z	B	n				
UCF305 305-13 305-14 305-15 305-16	25 13/16 7/8 15/16 1	110	80	16	13	29	16	39	38	15	M14	UC305 UC305-13 UC305-14 UC305-15 UC305-16	F305	1.10
UCF306 306-17 306-18 306-19	30 1-1/16 1-1/8 1-3/16	125	95	18	15	32	16	44	43	17	M14	UC306 UC306-17 UC306-18 UC306-19	F306	1.50
UCF307 307-20 307-21 307-22 307-23	35 1-1/4 1-5/16 1-3/8 1-7/16	135	100	20	16	36	19	49	48	19	M16	UC307 UC307-20 UC307-21 UC307-22 UC307-23	F307	2.00
UCF308 308-24 308-25	40 1-1/2 1-9/16	150	112	23	17	40	19	56	52	19	M16	UC308 UC308-24 UC308-25	F308	2.60
UCF309 309-26 309-27 309-28	45 1-5/8 1-11/16 1-3/4	160	125	25	18	44	19	60	57	22	M16	UC309 UC309-26 UC309-27 UC309-28	F309	3.40
UCF310 310-29 310-30 310-31	50 1-13/16 1-7/8 1-15/16	175	132	28	19	48	23	67	61	22	M20	UC310 UC310-29 UC310-30 UC310-31	F310	4.50
UCF311 311-32 311-33 311-34 311-35	55 2 2-1/16 2-1/8 2-3/16	185	140	30	20	52	23	71	66	25.0	M20	UC311 UC311-32 UC311-33 UC311-34 UC311-35	F311	5.50
UCF312 312-36 312-37 312-38 312-39	60 2-1/4 2-5/16 2-3/8 2-7/16	195	150	33	22	56	23	78	71	26.0	M20	UC312 UC312-36 UC312-37 UC312-38 UC312-39	F312	6.50
UCF313 313-40 313-41	65 2-1/2 2-9/16	208	166	33	22	58	23	78	75	30	M20	UC313 UC313-40 UC313-41	F313	7.90
UCF314 314-42 314-43 314-44	70 2-5/8 2-11/16 2-3/4	226	178	36	25	61	25	81	78	33	M22	UC314 UC314-42 UC314-43 UC314-44	F314	9.60
UCF315 315-45 315-46 315-47 315-48	75 2-13/16 2-7/8 2-15/16 3	236	184	39	25	66	25	89	82	32.0	M22	UC315 UC315-45 UC315-46 UC315-47 UC315-48	F315	11.00
UCF316 316-49 316-50 316-51	80 3-1/16 3-1/8 3-3/16	250	196	38	27	68	31	90	86	34	M27	UC316 UC316-49 UC316-50 UC316-51	F316	13.30
UCF317 317-52 317-53 317-54	85 3-1/4 3-5/16 3-7/16	260	204	44	27	74	31	100	96	40	M27	UC317 UC317-52 UC317-53 UC317-54	F317	15.30
UCF318 318-55 318-56	90 3-7/16 3-1/2	280	216	44	30	76	35	100	96	40	M30	UC318 UC318-55 UC318-56	F318	18.60
UCF319 319-58 319-59 319-60	95 3-5/8 3-11/16 3-3/4	290	228	59	30	94	35	121	103	41	M30	UC319 UC319-58 UC319-59 UC319-60	F319	22.80
UCF320 320-64	100 4	310	242	59	32	94	38	125	108	42	M33	UC320 UC320-64	F320	26.10
UCF322	110	340	266	60	35	96	41	131	117	46	M36	UC322	F322	34.90
UCF324	120	370	290	65	40	110	41	140	126	51	M36	UC324	F324	46.80
UCF326	130	410	320	65	45	115	41	146	135	54	M36	UC326	F326	62.60
UCF328	140	450	350	75	55	125	41	161	145	59	M36	UC328	F328	85.50

Flange Cartridge Units

UCFC2 (Normal-duty)

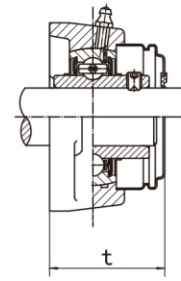
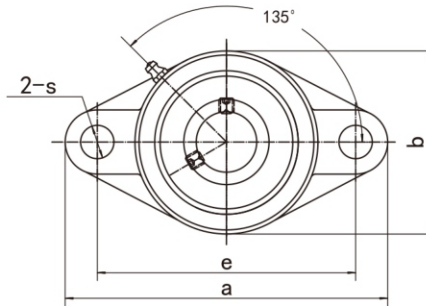
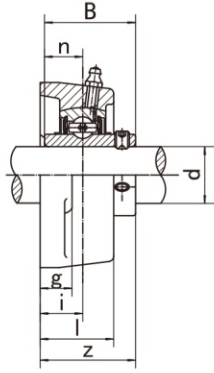


UCFC-C1(D1)

Unit NO.	Dimensions (mm / in.)												Bolt Size mm/in.	Bearing No.	Housing No.	Weight (kg)		
	d	a	p	(e)	i	s	j	k	g	f	z	t					B	n
UCFC201	12	100	78	55.1	10	12	5	7	20.5	62	28.3	32.5	31.0	12.7	M10	UC201	FC201	0.70
201-8	1/2	3-15/16	3-5/64	2-11/64	25/64	15/32	13/64	9/32	13/16	2.4409	1-1/8	1-9/32	1.2205	0.500	3/8	UC201-8		0.69
UCFC202	15	100	78	55.1	10	12	5	7	20.5	62	28.3	32.5	31.0	12.7	M10	UC202	FC202	0.69
202-9	9/16	3-15/16	3-5/64	2-11/64	25/64	15/32	13/64	9/32	13/16	2.4409	1-1/8	1-9/32	1.2205	0.500	3/8	UC202-9		0.69
202-10	5/8															UC202-10		0.69
UCFC203	17	100	78	55.1	10	12	5	7	20.5	62	28.3	32.5	31.0	12.7	M10	UC203	FC203	0.68
203-11	11/16	3-15/16	3-5/64	2-11/64	25/64	15/32	13/64	9/32	13/16	2.4409	1-1/8	1-9/32	1.2205	0.500	3/8	UC203-11		0.67
UCFC204	20	100	78	55.1	10	12	5	7	20.5	62	28.3	32.5	31.0	12.7	M10	UC204	FC204	0.66
204-12	3/4	3-15/16	3-5/64	2-11/64	25/64	15/32	13/64	9/32	13/16	2.4409	1-1/8	1-9/32	1.2205	0.500	3/8	UC204-12		0.66
UCFC205	25	115	90	63.6	10	12	6	7	21	70	29.8	34.0	34.1	14.3	M10	UC205	FC205	0.89
205-13	13/16															UC205-13		0.92
205-14	7/8	4-17/32	3-35/64	2-1/2	25/64	15/32	15/64	9/32	53/64	2.7559	1-11/64	1-11/32	1.3425	0.563	3/8	UC205-14		0.91
205-15	15/16															UC205-15		0.89
205-16	1															UC205-16		0.88
UCFC206	30	125	100	70.7	10	12	8	8	23	80	32.2	36.5	38.1	15.9	M10	UC206	FC206	1.18
206-17	1-1/16															UC206-17		1.19
206-18	1-1/8	4-59/64	3-15/16	2-25/32	25/64	15/32	5/16	5/16	29/32	3.1496	1-17/64	1-7/16	1.5000	0.626	3/8	UC206-18		1.20
206-19	1-3/16															UC206-19		1.18
206-20	1-1/4															UC206-20		1.17
UCFC207	35	135	110	77.8	11	14	8	9	26	90	36.4	41.0	42.9	17.5	M12	UC207	FC207	1.53
207-20	1-1/4															UC207-20		1.59
207-21	1-5/16	5-5/16	4-21/64	3-1/16	7/16	35/64	5/16	23/64	1-1/32	3.5433	1-7/16	1-5/8	1.6890	0.689	7/16	UC207-21		1.56
207-22	1-3/8															UC207-22		1.53
207-23	1-7/16															UC207-23		1.50
UCFC208	40	145	120	84.8	11	14	10	9	26	100	41.2	45.5	49.2	19.0	M12	UC208	FC208	1.85
208-24	1-1/2	5-45/64	4-23/32	3-11/32	7/16	35/64	25/64	23/64	1-1/32	3.9370	1-5/8	1-51/64	1.9370	0.748	7/16	UC208-24		1.89
208-25	1-9/16															UC208-25		1.86
UCFC209	45	160	132	93.3	10	16	12	14	26	105	40.2	44.5	49.2	19.0	M14	UC209	FC209	2.53
209-26	1-5/8															UC209-26		2.63
209-27	1-11/16	6-19/64	5-13/64	3-43/64	25/64	5/8	15/32	35/64	1-1/32	4.1339	1-37/64	1-3/4	1.9370	0.748	1/2	UC209-27		2.59
209-28	1-3/4															UC209-28		2.55
UCFC210	50	165	138	97.6	10	16	12	14	28	110	42.6	47.5	51.6	19.0	M14	UC210	FC210	2.78
210-29	1-13/16															UC210-29		2.90
210-30	1-7/8	6-1/2	5-7/16	3-27/32	25/64	5/8	15/32	35/64	1-7/64	4.3307	1-11/16	1-7/8	2.0315	0.748	1/2	UC210-30		2.85
210-31	1-15/16															UC210-31		2.80
210-32	2															UC210-32		2.76
UCFC211	55	185	150	106.1	13	19	12	15	31	125	46.4	51.0	55.6	22.2	M16	UC211	FC211	3.86
211-32	2															UC211-32		4.01
211-33	2-1/16	7-9/32	5-29/32	4-3/16	33/64	3/4	15/32	19/32	1-7/32	4.9213	1-53/64	2-1/64	2.1890	0.874	5/8	UC211-33		3.95
211-34	2-1/8															UC211-34		3.91
211-35	2-3/16															UC211-35		3.84
UCFC212	60	195	160	113.1	17	19	12	15	36	135	56.7	61.5	65.1	25.4	M16	UC212	FC212	4.69
212-36	2-1/4															UC212-36		4.82
212-37	2-5/16	7-11/16	6-19/64	4-29/64	43/64	3/4	15/32	19/32	1-27/64	5.3150	2-15/64	2-27/64	2.5630	1.000	5/8	UC212-37		4.74
212-38	2-3/8															UC212-38		4.67
212-39	2-7/16															UC212-39		4.60
UCFC213	65	205	170	120.2	16	19	14	15	36	145	55.7	60.5	65.1	25.4	M16	UC213	FC213	5.30
213-40	2-1/2	8-5/64	6-11/16	4-47/64	5/8	3/4	35/64	19/32	1-27/64	5.5118	2-3/16	2-25/64	2.5630	1.000	5/8	UC213-40		5.39
213-41	2-9/16															UC213-41		5.30
UCFC214	70	215	177	125.1	17	19	14	18	40	150	61.4	67.5	74.6	30.2	M16	UC214	FC214	6.46
214-42	2-5/8															UC214-42		6.67
214-43	2-11/16	8-15/32	6-31/32	4-59/64	43/64	3/4	35/64	23/32	1-37/64	5.9055	2-13/32	2-21/32	2.9370	1.189	5/8	UC214-43		6.57
214-44	2-3/4															UC214-44		6.47
UCFC215	75	220	184	130.1	18	19	16	18	40	160	62.5	67.5	77.8	33.3	M16	UC215	FC215	6.86
215-45	2-13/16															UC215-45		6.86
215-46	2-7/8	8-21/32	7-1/4	5-1/8	23/32	3/4	5/8	23/32	1-37/64	6.2992	2-15/32	2-21/32	3.0630	1.311	5/8	UC215-46		7.11
215-47	2-15/16															UC215-47		7.00
215-48	3															UC215-48		6.80
UCFC216	80	240	200	141.4	18	23	16	18	42	170	67.3	72.5	82.6	33.3	M20	UC216	FC216	8.47
216-49	3-1/16															UC216-49		8.65
216-50	3-1/8	9-29/64	7-7/8	5-9/16	23/32	29/32	5/8	23/32	1-21/32	6.6929	2-21/32	2-55/64	3.2520	1.311	3/4	UC216-50		8.52
216-51	3-3/16															UC216-51		8.39
UCFC217	85	250	208	147.1	18	23	18	20	45	180	69.6	74.6	85.7	34.1	M20	UC217	FC217	10.18
217-52	3-1/4															UC217-52		10.30
217-53	3-5/16	9-27/32	8-3/16	5-51/64	23/32	29/32	23/32	25/32	1-25/32	7.0866	2-3/4	2-15/16	3.3740	1.343	3/4	UC217-53		10.26
217-55	3-7/16															UC217-55		9.97
UCFC218	90	265	220	155.5	22	23	18	20	50	190	78.3	83.5	96.0	39.7	M20	UC218	FC218	12.24
218-56	3-1/2	10-7/16	8-21/32	6-1/8	55/64	29/32	23/32	25/32	1-31/32	7.4803	3-3/32	3-9/32	3.7795	1.5630	3/4	UC218-56		12.35

UCFL2 (Normal-duty)

Flange Units (Oval)

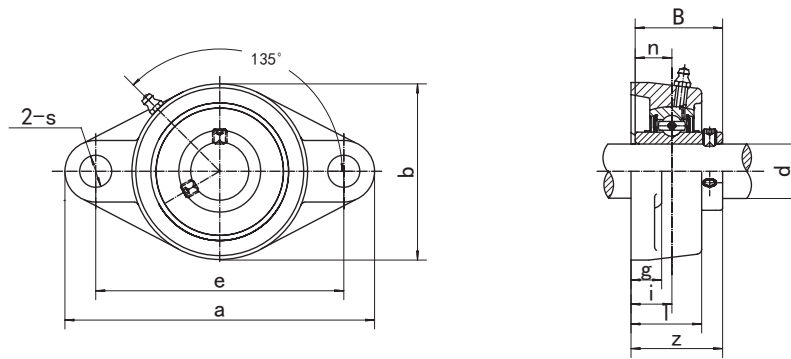


UCFL-C₁(D₁)

Unit NO.	Dimensions (mm / in.)												Bolt Size mm/in.	Bearing No.	Housing No.	Weight (kg)
	d	a	e	i	g	f	s	b	z	t	B	n				
UCFL201	12	113	90	15	11	25.5	12	60	33.3	37.5	31.0	12.7	M10	UC201	FL201	0.45
201-8	1/2	4-7/16	3-35/64	19/32	7/16	1	15/32	2-3/8	1-5/16	1-31/64	1.2205	0.500	3/8	UC201-8		0.44
UCFL202	15	113	90	15	11	25.5	12	60	33.3	37.5	31.0	12.7	M10	UC202	FL202	0.44
202-9	9/16	4-7/16	3-35/64	19/32	7/16	1	15/32	2-3/8	1-5/16	1-31/64	1.2205	0.500	3/8	UC202-9		0.44
202-10	5/8													UC202-10		0.44
UCFL203	17	113	90	15	11	25.5	12	60	33.3	37.5	31.0	12.7	M10	UC203	FL203	0.43
203-11	11/16	4-7/16	3-35/64	19/32	7/16	1	15/32	2-3/8	1-5/16	1-31/64	1.2205	0.500	3/8	UC203-11		0.42
UCFL204	20	113	90	15	11	25.5	12	60	33.3	37.5	31.0	12.7	M10	UC204	FL204	0.40
204-12	3/4	4-7/16	3-5/64	19/32	7/16	1	15/32	2-3/8	1-5/16	1-31/64	1.2205	0.500	3/8	UC204-12		0.40
UCFL205	25	130	99	16	13	27	16	68	35.8	40.0	34.1	14.3	M14	UC205		0.58
205-13	13/16													UC205-13	FL205	0.62
205-14	7/8	5-1/8	3-57/64	5/8	1/2	1-1/16	5/8	2-11/16	1-13/32	1-9/16	1.3425	0.563	1/2	UC205-14		0.61
205-15	15/16													UC205-15		0.59
205-16	1													UC205-16		0.58
UCFL206	30	148	117	18	13	31	16	80	40.2	44.5	38.1	15.9	M14	UC206		0.83
206-17	1-1/16													UC206-17	FL206	0.84
206-18	1-1/8	5-13/16	4-39/64	45/64	1/2	1-7/32	5/8	3-5/32	1-19/32	1-3/4	1.5000	0.626	1/2	UC206-18		0.85
206-19	1-3/16													UC206-19		0.83
206-20	1-1/4													UC206-20		0.82
UCFL207	35	161	130	19	14	34	16	90	44.4	48.5	42.9	17.5	M14	UC207		1.10
207-20	1-1/4													UC207-20	FL207	1.16
207-21	1-5/16	6-11/32	5-1/8	3/4	35/64	1-11/32	5/8	3-35/64	1-3/4	1-29/32	1.6890	0.689	1/2	UC207-21		1.13
207-22	1-3/8													UC207-22		1.10
207-23	1-7/16													UC207-23		1.07
UCFL208	40	175	144	21	14	36	16	100	51.2	55.5	49.2	19.0	M14	UC208		1.42
208-24	1-1/2	6-7/8	5-43/64	53/64	35/64	1-13/32	5/8	3-15/16	2-1/64	2-3/16	1.9370	0.748	1/2	UC208-24	FL208	1.46
208-25	1-9/16													UC208-25		1.43
UCFL209	45	188	148	22	15	38	19	108	52.2	56.5	49.2	19.0	M16	UC209		1.75
209-26	1-5/8													UC209-26	FL209	1.85
209-27	1-11/16	7-13/32	5-53/64	55/64	19/32	1-1/2	3/4	4-1/4	2-1/16	2-7/32	1.9370	0.748	5/8	UC209-27		1.81
209-28	1-3/4													UC209-28		1.77
UCFL210	50	197	157	22	15	40	19	115	54.6	59.5	51.6	19.0	M16	UC210		2.02
210-29	1-13/16													UC210-29	FL210	2.14
210-30	1-7/8	7-3/4	6-3/16	55/64	19/32	1-37/64	3/4	4-17/32	2-5/32	2-11/32	2.0315	0.748	5/8	UC210-30		2.09
210-31	1-15/16													UC210-31		2.04
210-32	2													UC210-32		2.00
UCFL211	55	224	184	25	18	43	19	130	58.4	63.0	55.6	22.2	M16	UC211		2.79
211-32	2													UC211-32	FL211	2.94
211-33	2-1/16	8-13/16	7-1/4	63/64	23/32	1-11/16	3/4	5-1/8	2-5/16	2-15/32	2.1890	0.874	5/8	UC211-33		2.88
211-34	2-1/8													UC211-34		2.84
211-35	2-3/16													UC211-35		2.77
UCFL212	60	250	202	29	18	48	23	140	68.7	73.5	65.1	25.4	M20	UC212		3.65
212-36	2-1/4													UC212-36	FL212	3.78
212-37	2-5/16	9-27/32	7-61/64	1-9/64	23/32	1-7/8	29/32	5-1/2	2-23/32	2-57/64	2.5630	1.000	3/4	UC212-37		3.70
212-38	2-3/8													UC212-38		3.63
212-39	2-7/16													UC212-39		3.56
UCFL213	65	258	210	30	22	50	23	155	69.7	74.5	65.1	25.4	M20	UC213		4.56
213-40	2-1/2													UC213-40	FL213	4.65
213-41	2-9/16	10-5/32	8-17/64	1-3/16	7/8	1-31/32	29/32	6-3/32	2-3/4	2-15/16	2.5630	1.000	3/4	UC213-41		4.56
UCFL214	70	265	216	31	22	54	23	160	75.4	81.5	74.6	30.2	M20	UC214		5.12
214-42	2-5/8													UC214-42	FL214	5.33
214-43	2-11/16	10-7/16	8-1/2	1-7/32	7/8	2-1/8	29/32	6-5/16	2-31/32	3-13/64	2.9370	1.189	3/4	UC214-43		5.23
214-44	2-3/4													UC214-44		5.13
UCFL215	75	275	225	34	22	56	23	165	78.5	83.5	77.8	33.3	M20	UC215		5.64
215-45	2-13/16													UC215-45	FL215	5.61
215-46	2-7/8	10-13/16	8-55/64	1-11/32	7/8	2-7/32	29/32	6-1/2	3-3/32	3-9/32	3.0630	1.311	3/4	UC215-46		5.86
215-47	2-15/16													UC215-47		5.75
215-48	3													UC215-48		5.55
UCFL216	80	290	233	34	22	58	25	180	83.3	88.5	82.6	33.3	M22	UC216		6.91
216-49	3-1/16													UC216-49	FL216	7.09
216-50	3-1/8	11-13/32	9-11/64	1-11/32	7/8	2-9/32	63/64	7-3/32	3-9/32	3-31/64	3.2520	1.311	7/8	UC216-50		6.96
216-51	3-3/16													UC216-51		6.83
UCFL217	85	305	248	36	24	63	25	190	87.5	92.6	85.7	34.1	M22	UC217		8.27
217-52	3-1/4													UC217-52	FL217	8.39
217-53	3-5/16	12	9-49/64	1-27/64	15/16	2-15/32	63/64	7-15/32	3-7/16	3-41/64	3.3740	1.343	7/8	UC217-53		8.35
217-55	3-7/16													UC217-55		8.06
UCFL218	90	320	265	40	24	68	25	205	96.3	101.5	96.0	39.7	M22	UC218		10.13
218-56	3-1/2	12-19/32	10-7/16	1-37/64	15/16	2-11/16	63/64	8-1/16	3-25/32	4	3.7795	1.5630	7/8	UC218-56	FL218	10.24

UCFL3 (Heavy-duty)

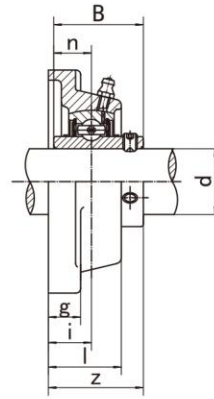
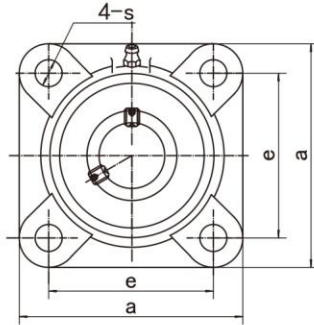
Flange Units (Oval)



Unit NO.	Dimensions (mm / in.)											Bolt Size mm/in.	Bearing No.	Housing No.	Weight (kg)
	d	a	e	i	g	l	s	b	z	B	n				
UCFL305	25	150	113	16	13	29	19	80	39	38	15	M16	UC305	FL305	0.89
305-13	13/16											5/8	UC305-13		0.94
305-14	7/8	5-29/32	4-7/16	5/8	1/2	1-5/32	3/4	3-5/32	1-17/32	1.4961	0.591		UC305-14		0.92
305-15	15/16												UC305-15		0.90
305-16	1												UC305-16	0.89	
UCFL306	30	180	134	18	15	32	23	90	44	43	17	M20	UC306	FL306	1.37
306-17	1-1/16											3/4	UC306-17		1.42
306-18	1-1/8	7-3/32	5-9/32	45/64	19/32	1-1/4	29/32	3-17/32	1-47/64	1.6929	0.669		UC306-18		1.39
306-19	1-3/16												UC306-19		1.37
UCFL307	35	185	141	20	16	36	23	100	49	48	19	M20	UC307	FL307	1.67
307-20	1-1/4											3/4	UC307-20		1.73
307-21	1-5/16	7-9/32	5-35/64	25/32	5/8	1-13/32	29/32	3-15/16	1-59/64	1.8898	0.748		UC307-21		1.70
307-22	1-3/8												UC307-22		1.67
307-23	1-7/16												UC307-23		1.64
UCFL308	40	200	158	23	17	40	23	112	56	52	19	M20	UC308	FL308	2.20
308-24	1-1/2	7-7/8	6-7/32	29/32	21/32	1-9/16	29/32	4-13/32	1-13/64	2.0472	0.748	3/4	UC308-24		2.25
308-25	1-9/16												UC308-25		2.21
UCFL309	45	230	177	25	18	44	25	125	60	57	22	M22	UC309	FL309	3.12
309-26	1-5/8											7/8	UC309-26		3.21
309-27	1-11/16	9-1/16	6-31/32	63/64	23/32	1-23/32	63/64	4-29/32	2-23/64	2.2441	0.866		UC309-27		3.17
309-28	1-3/4												UC309-28		3.12
UCFL310	50	240	187	28	19	48	25	140	67	61	22	M22	UC310	FL310	3.99
310-29	1-13/16											7/8	UC310-29		4.34
310-30	1-7/8	9-7/16	7-23/64	1-7/64	3/4	1-7/8	63/64	5-1/2	2-41/64	2.4016	0.866		UC310-30		4.09
310-31	1-15/16												UC310-31		4.03
UCFL311	55	250	198	30	20	52	25	150	71	66	25	M22	UC311	FL311	4.79
311-32	2											7/8	UC311-32		4.97
311-33	2-1/16	9-27/32	7-51/64	1-3/16	25/32	2-1/16	63/64	5-29/32	2-51/64	2.5984	0.984		UC311-33		4.90
311-34	2-1/8												UC311-34		4.84
311-35	2-3/16												UC311-35		4.76
UCFL312	60	270	212	33	22	56	31	160	78	71	26	M27	UC312	FL312	5.77
312-36	2-1/4											1	UC312-36		5.92
312-37	2-5/16	10-5/8	8-11/32	1-19/64	7/8	2-7/32	1-7/32	6-5/64	3-5/64	2.7953	1.024		UC312-37		5.84
312-38	2-3/8												UC312-38		5.75
312-39	2-7/16												UC312-39		5.67
UCFL313	65	295	240	33	25	58	31	175	78	75	30	M27	UC313	FL313	7.38
313-40	2-1/2	11-5/8	9-29/64	1-19/64	31/32	2-9/32	1-7/32	6-7/8	3-5/64	2.9528	1.181	1	UC313-40		7.46
313-41	2-9/16												UC313-41		7.36
UCT314	70	315	250	36	28	61	35	185	81	78	33	M30	UC314	FL314	8.72
314-42	2-5/8											1-1/8	UC314-42		8.94
314-43	2-11/16	12-13/32	9-27/32	1-27/64	1-3/32	2-13/32	1-3/8	7-9/32	3-3/16	3.0708	1.299		UC314-43		8.83
314-44	2-3/4												UC314-44		8.73
UCFL315	75	320	260	39	30	66	35	195	89	82	32	M30	UC315	FL315	10.02
315-45	2-13/16											1-1/8	UC315-45		10.29
315-46	2-7/8	12-19/32	10-15/64	1-17/32	1-3/16	2-19/32	1-3/8	7-11/16	3-1/2	3.2283	1.260		UC315-46		10.15
315-47	2-15/16												UC315-47		10.06
315-48	3												UC315-48		9.93
UCFL316	80	355	285	38	32	68	38	210	90	86	34	M33	UC316	FL316	12.42
316-49	3-1/16											1-1/4	UC316-49		12.59
316-50	3-1/8	13-31/32	11-7/32	1-1/2	1-1/4	2-11/16	1-1/2	8-9/32	3-35/64	3.3858	1.339		UC316-50		12.45
316-51	3-3/16												UC316-51		12.36
UCFL317	85	370	300	44	32	74	38	220	100	96	40	M33	UC317	FL317	14.34
317-52	3-1/4											1-1/4	UC317-52		14.56
317-53	3-5/16	14-9/16	11-13/16	1-47/64	1-1/4	2-29/32	1-1/2	8-21/32	3-15/16	3.7795	1.575		UC317-53		14.53
317-55	3-7/16												UC317-55		14.31
UCFL318	90	385	315	44	36	76	38	235	100	96	40	M33	UC318	FL318	16.87
318-55	3-7/16	15-5/32	12-13/32	1-47/64	1-13/32	3	1-1/2	9-1/4	3-15/16	3.7795	1.575	1-1/4	UC318-55		17.16
318-56	3-1/2												UC318-56		16.98
UCFL319	95	405	330	59	40	94	41	250	121	103	41	M36	UC319	FL319	21.71
319-58	3-5/8											1-3/8	UC319-58		22.04
319-59	3-11/16	15-15/16	12-63/64	2-21/64	1-9/16	3-11/16	1-39/64	9-27/32	4-49/64	4.0551	1.614		UC319-59		21.86
317-60	3-3/4												UC317-60		21.67
UCFL320	100	440	360	59	40	94	44	270	125	108	42	M39	UC320	FL320	25.95
320-64	4	17-5/16	14-11/64	2-21/64	1-9/16	3-11/16	1-47/64	10-5/8	4-29/32	4.2519	1.6535	1-1/2	UC320-64		25.75
UCFL322	110	470	390	60	42	96	44	300	131	117	46	M39	UC322	FL322	33.05
		18-1/2	15-23/64	2-23/64	1-21/32	3-25/32	1-47/64	11-13/16	5-5/32	4.6063	1.8110				
UCFL324	120	520	430	65	48	110	47	330	140	126	51	M42	UC324	FL324	46.47
		20-15/32	16-59/64	2-9/16	1-7/8	4-11/32	1-27/32	13	5-1/2	4.9606	2.0079				
UCFL326	130	550	460	65	50	115	47	360	146	135	54	M42	UC326	FL326	57.38
		21-21/32	18-7/64	2-9/16	1-31/32	4-17/32	1-27/32	14-3/16	5-3/4	5.3150	2.1260				
UCFL328	140	600	500	75	60	125	51	400	161	145	59	M45	UC328	FL328	79.08
		23-5/8	19-11/16	2-61/64	2-3/8	4-29/32	2	15-3/4	6-11/32	5.7086	2.3228				

Flange Units (Square)

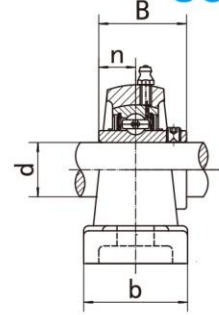
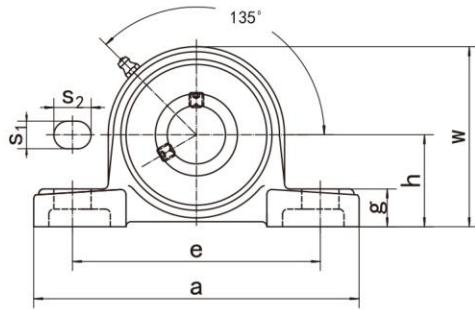
UCFU2 (Normal-duty)



Unit NO.	Dimensions (mm / in.)										Bolt Size mm/in.	Bearing No.	Housing No.	Weight (kg)	
	d	a	e	i	g	l	s	z	B	n					
UCSFU203	17	76.0 3	54.0 2-1/8	15.0 19/32	11.0 7/16	25.5 1	12.0 15/32	12.0 1-7/32	30.9 1.0787	27.4	11.5 0.453	M10 3/8	UCS203	FU203S	0.38
UCFU203	17	86.0	63.5	19.0	15.0	29.5	12.0	37.3	31.0	12.7	M10	UC203	FU203	0.64	
203-11	11/16	3-3/8	2-1/2	3/4	19/32	1-5/32	15/32	1-15/32	1.2205	0.500	3/8	UC203-11		0.63	
UCFU204	20	86.0	63.5	19.0	15.0	29.5	12.0	37.3	31.0	12.7	M10	UC204	FU204	0.62	
204-12	3/4	3-3/8	2-1/2	3/4	19/32	1-5/32	15/32	1-15/32	1.2205	0.500	3/8	UC204-12		0.62	
UCFU205	25	93.0	70.0	19.0	15.0	30.0	12.0	38.8	34.1	14.3	M10	UC205	FU205	0.73	
205-13	13/16	3-21/32	2-3/4	3/4	19/32	1-3/16	15/32	1-17/32	1.3425	0.563	3/8	UC205-13		0.77	
205-14	7/8											UC205-14		0.76	
205-15	15/16											UC205-15		0.74	
205-16	1											UC205-16		0.73	
UCFU206	30											106.0	82.5	20.0	16.0
206-17	1-1/16	4-11/64	3-1/4	25/32	5/8	1-9/32	15/32	1-21/32	1.5000	0.626	3/8	UC206-17	1.05		
206-18	1-1/8											UC206-18	1.06		
206-19	1-3/16											UC206-19	1.04		
206-20	1-1/4											UC206-20	1.03		
UCFU207	35											116.0	92.0	21.0	17.0
207-20	1-1/4	4-9/16	3-5/8	53/64	43/64	1-3/8	35/64	1-53/64	1.6890	0.689	7/16	UC207-20	1.40		
207-21	1-5/16											UC207-21	1.37		
207-22	1-3/8											UC207-22	1.34		
207-23	1-7/16											UC207-23	1.31		
UCFU208	40											129.0	101.5	24.0	17.0
208-24	1-1/2	5-5/64	4	15/16	43/64	1-17/32	35/64	2-1/8	1.9370	0.748	7/16	UC208-24	1.82		
208-25	1-9/16											UC208-25	1.79		
UCFU209	45											135.0	105.0	24.0	18.0
209-26	1-5/8	5-5/16	4-9/64	15/16	23/32	1-37/64	5/8	2-1/8	1.9370	0.748	1/2	UC209-26	2.08		
209-27	1-11/16											UC209-27	2.04		
209-28	1-3/4											UC209-28	2.00		
UCFU210	50											143.0	111.0	28.0	20.0
210-29	1-13/16	5-5/8	4-3/8	1-3/32	25/32	1-49/64	23/32	2-25/64	2.0315	0.748	5/8	UC210-29	2.53		
210-30	1-7/8											UC210-30	2.48		
210-31	1-15/16											UC210-31	2.43		
210-32	2											UC210-32	2.39		
UCFU211	55											162.0	130.0	31.0	21.0
211-32	2	6-3/8	5-1/8	1-7/32	53/64	1-59/64	23/32	2-17/32	2.1890	0.874	5/8	UC211-32	3.44		
211-33	2-1/16											UC211-33	3.38		
211-34	2-1/8											UC211-34	3.34		
211-35	2-3/16											UC211-35	3.27		
UCFU212	60											175.0	143.0	34.0	22.0
212-36	2-1/4	6-57/64	5-5/8	1-11/32	55/64	1-7/64	23/32	2-29/32	2.5630	1.000	5/8	UC212-36	4.28		
212-37	2-5/16											UC212-37	4.20		
212-38	2-3/8											UC212-38	4.13		
212-39	2-7/16											UC212-39	4.06		
UCFU213	65											184.0	149.0	38.0	22.0
213-40	2-1/2	7-1/4	5-55/64	1-1/2	55/64	2-9/32	23/32	3-1/16	2.5630	1.000	5/8	UC213-40	5.06		
213-41	2-9/16											UC213-41	4.97		
UCFU214	70											188.0	152.0	38.0	23.0
214-42	2-5/8	7-13/32	5-63/64	1-1/2	29/32	2-21/64	23/32	3-1/4	2.9370	1.189	5/8	UC214-42	5.65		
214-43	2-11/16											UC214-43	5.55		
214-44	2-3/4											UC214-44	5.45		
UCFU215	75											200.0	159.0	41.0	24.0
215-45	2-13/16	7-7/8	6-17/64	1-39/64	15/16	2-7/16	23/32	3-23/64	3.0630	1.311	5/8	UC215-45	6.28		
215-46	2-7/8											UC215-46	6.53		
215-47	2-15/16											UC215-47	6.42		
215-48	3											UC215-48	6.22		

Pillow Blocks

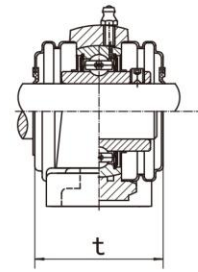
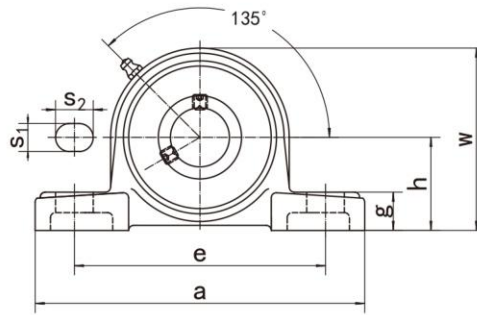
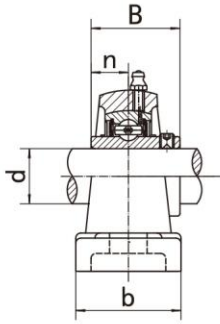
UCLP2 (Normal-duty)



Unit NO.	Dimensions (mm / in.)											Bolt Size mm/in.	Bearing No.	Housin g No.	Weight (kg)
	d	h	a	e	b	s1	s2	g	w	B	n				
UCLP201	12	31.75	127	95	38	13	16	14	64	31	12.7	M10	UC201	LP201	0.69
201-8	1/2	1-1/4	5	3-3/4	1-1/2	1/2	5/8	9/16	2-33/64	1.2205	0.500	3/8	UC201-8		0.68
UCLP202	15	31.75	127	95	38	13	16	14	64	31	12.7	M10	UC202	LP202	0.68
202-9	9/16	1-1/4	5	3-3/4	1-1/2	1/2	5/8	9/16	2-33/64	1.2205	0.500	3/8	UC202-9		0.68
202-10	5/8												UC202-10		0.68
UCLP203	17	31.75	127	95	38	13	16	14	64	31	12.7	M10	UC203	LP203	0.67
203-11	11/16	1-1/4	5	3-3/4	1-1/2	1/2	5/8	9/16	2-33/64	1.2205	0.500	3/8	UC203-11		0.66
UCLP204	20	31.75	127	95	38	13	16	14	64	31	12.7	M10	UC204	LP204	0.65
204-12	3/4	1-1/4	5	3-3/4	1-1/2	1/2	5/8	9/16	2-33/64	1.2205	0.500	3/8	UC204-12		0.65
UCLP205	25	33.34	140	105	38	13	16	15	68	34.1	14.3	M10	UC205	LP205	0.74
205-13	13/16												UC205-13		0.78
205-14	7/8	1-5/16	5-1/2	4-1/8	1-1/2	1/2	5/8	19/32	2-43/64	1.3425	0.563	3/8	UC205-14		0.77
205-15	15/16												UC205-15		0.75
205-16	1												UC205-16		0.74
UCLP206	30	39.69	160	121	44	17	20	17	80	38.1	15.9	M14	UC206	LP206	1.11
206-17	1-1/16												UC206-17		1.12
206-18	1-1/8	1-9/16	6-19/64	4-3/4	1-47/64	43/64	25/32	21/32	3-5/32	1.5000	0.626	1/2	UC206-18		1.13
206-19	1-3/16												UC206-19		1.11
206-20	1-1/4												UC206-20		1.10
UCLP207	35	46.04	167	127	48	17	20	18	91	42.9	17.5	M14	UC207	LP207	1.42
207-20	1-1/4												UC207-20		1.48
207-21	1-5/16	1-13/16	6-9/16	5	1-7/8	43/64	25/32	45/64	3-37/64	1.6890	0.689	1/2	UC207-21		1.45
207-22	1-3/8												UC207-22		1.42
207-23	1-7/16												UC207-23		1.39
UCLP208	40	49.2	184	137	54	17	20	18	100	49.2	19	M14	UC208	LP208	1.87
208-24	1-1/2	1-15/16	7-1/4	5-13/32	2-1/8	43/64	25/32	45/64	3-15/16	1.9370	0.748	1/2	UC208-24		1.91
208-25	1-9/16												UC208-25		1.88
UCLP209	45	52.39	190	146	54	17	20	20	104	49.2	19	M14	UC209	LP209	2.03
209-26	1-5/8												UC209-26		2.13
209-27	1-11/16	2-1/16	7-15/32	5-3/4	2-1/8	43/64	25/32	25/32	4-3/32	1.9370	0.748	1/2	UC209-27		2.09
209-28	1-3/4												UC209-28		2.05
UCLP210	50	55.56	206	159	60	20	23	21	112	51.6	19.0	M16	UC210	LP210	2.60
210-29	1-13/16												UC210-29		2.72
210-30	1-7/8	2-3/16	8-1/8	6-1/4	2-3/8	25/32	29/32	53/64	4-13/32	2.0315	0.748	5/8	UC210-30		2.67
210-31	1-15/16												UC210-31		2.62
210-32	2												UC210-32		2.58
UCLP211	55	61.91	219	171	60	20	23	23	124	55.6	22.2	M16	UC211	LP211	3.22
211-32	2												UC211-32		3.37
211-33	2-1/16	2-7/16	8-5/8	6-47/64	2-3/8	25/32	29/32	29/32	4-7/8	2.1890	0.874	5/8	UC211-33		3.31
211-34	2-1/8												UC211-34		3.27
211-35	2-3/16												UC211-35		3.20
UCLP212	60	68.26	241	184	70	20	23	25	136	65.1	25.4	M16	UC212	LP212	4.39
212-36	2-1/4												UC212-36		4.52
212-37	2-5/16	2-11/16	9-1/2	7-1/4	2-3/4	25/32	29/32	63/64	5-23/64	2.5630	1.000	5/8	UC212-37		4.44
212-38	2-3/8												UC212-38		4.37
212-39	2-7/16												UC212-39		4.30

Pillow Blocks

UCP2 (Normal-duty)

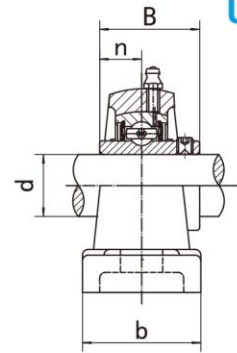
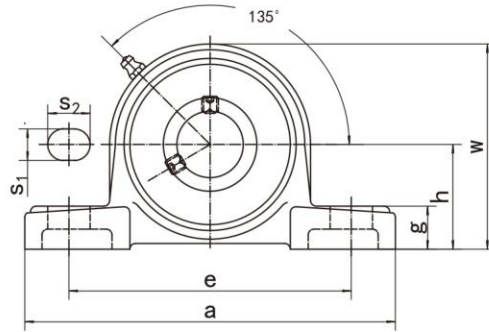


UCP-C₁(D₁)

Unit NO.	Dimensions (mm / in.)												Bolt Size mm/in.	Bearing No.	Housing No.	Weight (kg)
	d	h	a	e	b	s ₁	s ₂	g	w	t	B	n				
UCP201	12	30.2	127	95	38	13	19	14	62	44.5	31	12.7	M10	UC201	P201	0.65
201-8	1/2	1-3/16	5	3-3/4	1-1/2	1/2	3/4	9/16	2-7/16	1-3/4	1.2205	0.500	3/8	UC201-8		0.64
UCP202	15	30.2	127	95	38	13	19	14	62	44.5	31	12.7	M10	UC202	P202	0.64
202-9	9/16	1-3/16	5	3-3/4	1-1/2	1/2	3/4	9/16	2-7/16	1-3/4	1.2205	0.500	3/8	UC202-9		0.64
202-10	5/8	1-3/16	5	3-3/4	1-1/2	1/2	3/4	9/16	2-7/16	1-3/4	1.2205	0.500	3/8	UC202-10		0.64
UCP203	17	30.2	127	95	38	13	19	14	62	44.5	31	12.7	M10	UC203	P203	0.63
203-11	11/16	1-3/16	5	3-3/4	1-1/2	1/2	3/4	9/16	2-7/16	1-3/4	1.2205	0.500	3/8	UC203-11		0.62
UCP204	20	33.3	127	95	38	13	19	14	65	44.5	31.0	12.7	M10	UC204	P204	0.64
204-12	3/4	1-5/16	5	3-3/4	1-1/2	1/2	3/4	9/16	2-9/16	1-3/4	1.2205	0.500	3/8	UC204-12		0.64
UCP205	25	36.5	140	105	38	13	19	15	71	48	34.1	14.3	M10	UC205	P205	0.76
205-13	13/16	1-3/16	5	3-3/4	1-1/2	1/2	3/4	9/16	2-7/16	1-3/4	1.2205	0.500	3/8	UC205-13		0.80
205-14	7/8	1-7/16	5-1/2	4-1/8	1-1/2	1/2	3/4	19/32	2-25/32	1-57/64	1.3425	0.563	3/8	UC205-14		0.79
205-15	15/16	1-7/16	5-1/2	4-1/8	1-1/2	1/2	3/4	19/32	2-25/32	1-57/64	1.3425	0.563	3/8	UC205-15		0.77
205-16	1	1-7/16	5-1/2	4-1/8	1-1/2	1/2	3/4	19/32	2-25/32	1-57/64	1.3425	0.563	3/8	UC205-16		0.76
UCP206	30	42.9	160	121	44	17	20	17	84	53	38.1	15.9	M14	UC206	P206	1.20
206-17	1-1/16	1-11/16	6-19/64	4-3/4	1-47/64	43/64	25/32	21/32	3-5/16	2-5/64	1.5000	0.626	1/2	UC206-17		1.21
206-18	1-1/8	1-11/16	6-19/64	4-3/4	1-47/64	43/64	25/32	21/32	3-5/16	2-5/64	1.5000	0.626	1/2	UC206-18		1.22
206-19	1-3/16	1-11/16	6-19/64	4-3/4	1-47/64	43/64	25/32	21/32	3-5/16	2-5/64	1.5000	0.626	1/2	UC206-19		1.20
206-20	1-1/4	1-11/16	6-19/64	4-3/4	1-47/64	43/64	25/32	21/32	3-5/16	2-5/64	1.5000	0.626	1/2	UC206-20		1.19
UCP207	35	47.6	167	127	48	17	20	18	93	59.5	42.9	17.5	M14	UC207	P207	1.46
207-20	1-1/4	1-7/8	6-9/16	5	1-7/8	43/64	25/32	45/64	3-21/32	2-11/32	1.6890	0.689	1/2	UC207-20		1.53
207-21	1-5/16	1-7/8	6-9/16	5	1-7/8	43/64	25/32	45/64	3-21/32	2-11/32	1.6890	0.689	1/2	UC207-21		1.50
207-22	1-3/8	1-7/8	6-9/16	5	1-7/8	43/64	25/32	45/64	3-21/32	2-11/32	1.6890	0.689	1/2	UC207-22		1.47
207-23	1-7/16	1-7/8	6-9/16	5	1-7/8	43/64	25/32	45/64	3-21/32	2-11/32	1.6890	0.689	1/2	UC207-23		1.44
UCP208	40	49.2	184	137	54	17	20	18	100	69	49.2	19	M14	UC208	P208	1.86
208-24	1-1/2	1-15/16	7-1/4	5-13/32	2-1/8	43/64	25/32	45/64	3-15/16	2-23/32	1.9370	0.748	1/2	UC208-24		1.90
208-25	1-9/16	1-15/16	7-1/4	5-13/32	2-1/8	43/64	25/32	45/64	3-15/16	2-23/32	1.9370	0.748	1/2	UC208-25		1.87
UCP209	45	54.0	190	146	54	17	20	20	106	69	49.2	19	M14	UC209	P209	2.06
209-26	1-5/8	2-1/8	7-15/32	5-3/4	2-1/8	43/64	25/32	25/32	4-11/64	2-23/32	1.9370	0.748	1/2	UC209-26		2.16
209-27	1-11/16	2-1/8	7-15/32	5-3/4	2-1/8	43/64	25/32	25/32	4-11/64	2-23/32	1.9370	0.748	1/2	UC209-27		2.12
209-28	1-3/4	2-1/8	7-15/32	5-3/4	2-1/8	43/64	25/32	25/32	4-11/64	2-23/32	1.9370	0.748	1/2	UC209-28		2.08
UCP210	50	57.2	206	159	60	20	23	21	113	74.5	51.6	19.0	M16	UC210	P210	2.61
210-29	1-13/16	2-1/4	8-1/8	6-1/4	2-3/8	25/32	29/32	53/64	4-29/64	2-15/16	2.0315	0.748	5/8	UC210-29		2.73
210-30	1-7/8	2-1/4	8-1/8	6-1/4	2-3/8	25/32	29/32	53/64	4-29/64	2-15/16	2.0315	0.748	5/8	UC210-30		2.68
210-31	1-15/16	2-1/4	8-1/8	6-1/4	2-3/8	25/32	29/32	53/64	4-29/64	2-15/16	2.0315	0.748	5/8	UC210-31		2.63
210-32	2	2-1/4	8-1/8	6-1/4	2-3/8	25/32	29/32	53/64	4-29/64	2-15/16	2.0315	0.748	5/8	UC210-32		2.59
UCP211	55	63.5	219	171	60	20	23	23	125	76	55.6	22.2	M16	UC211	P211	3.23
211-32	2	2-1/2	8-5/8	6-47/64	2-3/8	25/32	29/32	29/32	4-59/64	3	2.1890	0.874	5/8	UC211-32		3.38
211-33	2-1/16	2-1/2	8-5/8	6-47/64	2-3/8	25/32	29/32	29/32	4-59/64	3	2.1890	0.874	5/8	UC211-33		3.32
211-34	2-1/8	2-1/2	8-5/8	6-47/64	2-3/8	25/32	29/32	29/32	4-59/64	3	2.1890	0.874	5/8	UC211-34		3.28
211-35	2-3/16	2-1/2	8-5/8	6-47/64	2-3/8	25/32	29/32	29/32	4-59/64	3	2.1890	0.874	5/8	UC211-35		3.21
UCP212	60	69.8	241	184	70	20	23	25	138	89	65.1	25.4	M16	UC212	P212	4.40
212-36	2-1/4	2-3/4	9-1/2	7-1/4	2-3/4	25/32	29/32	63/64	5-7/16	3-1/2	2.5630	1.000	5/8	UC212-36		4.57
212-37	2-5/16	2-3/4	9-1/2	7-1/4	2-3/4	25/32	29/32	63/64	5-7/16	3-1/2	2.5630	1.000	5/8	UC212-37		4.49
212-38	2-3/8	2-3/4	9-1/2	7-1/4	2-3/4	25/32	29/32	63/64	5-7/16	3-1/2	2.5630	1.000	5/8	UC212-38		4.42
212-39	2-7/16	2-3/4	9-1/2	7-1/4	2-3/4	25/32	29/32	63/64	5-7/16	3-1/2	2.5630	1.000	5/8	UC212-39		4.35
UCP213	65	76.2	265	203	70	25	28	27	150	89	65.1	25.4	M20	UC213	P213	5.35
213-40	2-1/2	3	10-7/16	8	2-3/4	63/64	1-3/32	1-1/16	5-29/32	3-1/2	2.5630	1.000	3/4	UC213-40		5.44
213-41	2-9/16	3	10-7/16	8	2-3/4	63/64	1-3/32	1-1/16	5-29/32	3-1/2	2.5630	1.000	3/4	UC213-41		5.35
UCP214	70	79.4	266	210	72	25	28	27	156	98	74.6	30.2	M20	UC214	P214	5.86
214-42	2-5/8	3-1/8	10-15/32	8-17/64	2-27/32	63/64	1-3/32	1-1/16	6-9/64	3-55/64	2.9370	1.189	3/4	UC214-42		6.07
214-43	2-11/16	3-1/8	10-15/32	8-17/64	2-27/32	63/64	1-3/32	1-1/16	6-9/64	3-55/64	2.9370	1.189	3/4	UC214-43		5.97
214-44	2-3/4	3-1/8	10-15/32	8-17/64	2-27/32	63/64	1-3/32	1-1/16	6-9/64	3-55/64	2.9370	1.189	3/4	UC214-44		5.87
UCP215	75	82.6	275	217	74	25	28	28	162	99	77.8	33.3	M20	UC215	P215	6.45
215-45	2-13/16	3-1/4	10-53/64	8-35/64	2-29/32	63/64	1-3/32	1-3/32	6-3/8	3-57/64	3.0630	1.311	3/4	UC215-45		6.45
215-46	2-7/8	3-1/4	10-53/64	8-35/64	2-29/32	63/64	1-3/32	1-3/32	6-3/8	3-57/64	3.0630	1.311	3/4	UC215-46		6.70
215-47	2-15/16	3-1/4	10-53/64	8-35/64	2-29/32	63/64	1-3/32	1-3/32	6-3/8	3-57/64	3.0630	1.311	3/4	UC215-47		6.59
215-48	3	3-1/4	10-53/64	8-35/64	2-29/32	63/64	1-3/32	1-3/32	6-3/8	3-57/64	3.0630	1.311	3/4	UC215-48		6.39
UCP216	80	88.9	292	232	78	25	28	30	174	109	82.6	33.3	M20	UC216	P216	7.86
216-49	3-1/16	3-1/2	11-1/2	9-1/8	3-1/16	63/64	1-3/32	1-3/16	6-27/32	4-19/64	3.2520	1.311	3/4	UC216-49		8.04
216-50	3-1/8	3-1/2	11-1/2	9-1/8	3-1/16	63/64	1-3/32	1-3/16	6-27/32	4-19/64	3.2520	1.311	3/4	UC216-50		7.91
216-51	3-3/16	3-1/2	11-1/2	9-1/8	3-1/16	63/64	1-3/32	1-3/16	6-27/32	4-19/64	3.2520	1.311	3/4	UC216-51		7.78
UCP217	85	95.2	310	247	83	25	28	32	185	113.2	85.7	34.1	M20	UC217	P217	9.56
217-52	3-1/4	3-3/4	12-13/64	9-23/32	3-17/64	63/64	1-3/32	1-1/4	7-9/32	4-29/64	3.3740	1.343	3/4	UC217-52		9.68
217-53	3-5/16	3-3/4	12-13/64	9-23												

Pillow Blocks

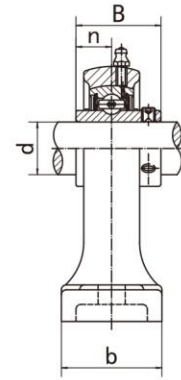
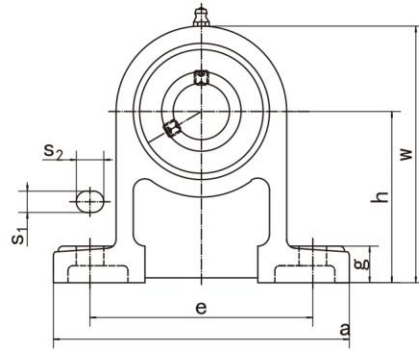
UCP3 (Heavy-duty)



Unit NO.	Dimensions (mm / in.)											Bolt Size mm/in.	Bearing No.	Housing No.	Weight (kg)
	d	h	a	e	b	s ₁	s ₂	g	w	B	n				
UCP305	25	45	175	132	45	17	20	15	85	38	15	M14	UC305	P305	1.27
305-13	13/16												UC305-13		1.32
305-14	7/8	1-49/64	6-7/8	5-3/16	1-25/32	43/64	25/32	19/32	3-11/32	1.4961	0.591	1/2	UC305-14		1.30
305-15	15/16												UC305-15		1.28
305-16	1												UC305-16		1.27
UCP306	30	50	180	140	50	17	20	18	95	43	17	M14	UC306	P306	1.73
306-17	1-1/16												UC306-17		1.79
306-18	1-1/8	1-31/32	7-3/32	5-1/2	1-31/32	43/64	25/32	23/32	3-3/4	1.6929	0.669	1/2	UC306-18		1.76
306-19	1-3/16												UC306-19		1.74
UCP307	35	56	210	160	56	17	25	20	106	48	19	M14	UC307		P307
307-20	1-1/4												UC307-20	2.44	
307-21	1-5/16	1-13/64	8-9/32	6-5/16	2-13/64	43/64	31/32	25/32	4-3/16	1.8898	0.748	1/2	UC307-21	2.41	
307-22	1-3/8												UC307-22	2.38	
307-23	1-7/16												UC307-23	2.35	
UCP308	40	60	220	170	60	17	27	22	116	52	19	M14	UC308	P308	3.08
308-24	1-1/2	2-23/64	8-21/32	6-11/16	2-3/8	43/64	1-11/16	7/8	4-9/16	2.0472	0.748	1/2	UC308-24		3.12
308-25	1-9/16												UC308-25		3.08
UCP309	45	67	245	190	67	20	30	24	129	57	22	M16	UC309	P309	4.17
309-26	1-5/8												UC309-26		4.27
309-27	1-11/16	2-41/64	9-21/32	7-15/32	2-5/8	25/32	1-3/16	15/16	5-3/32	2.2441	0.866	5/8	UC309-27		4.23
309-28	1-3/4												UC309-28		4.18
UCP310	50	75	275	212	75	20	35	27	143	61	22	M16	UC310		P310
310-29	1-13/16												UC310-29	6.03	
310-30	1-7/8	2-61/64	10-13/16	8-11/32	2-15/16	25/32	1-3/8	1-1/16	5-5/8	2.4016	0.866	5/8	UC310-30	5.78	
310-31	1-15/16												UC310-31	5.72	
UCP311	55	80	310	236	80	20	38	30	154	66	25	M16	UC311	P311	
311-32	2												UC311-32		7.42
311-33	2-1/16	3-5/32	12-7/32	9-9/32	3-5/32	25/32	1-1/2	1-3/16	6-1/16	2.5984	0.984	5/8	UC311-33		7.35
311-34	2-1/8												UC311-34		7.29
311-35	2-3/16												UC311-35		7.21
UCP312	60	85	330	250	85	25	38	32	165	71	26	M20	UC312	P312	8.88
312-36	2-1/4												UC312-36		9.03
312-37	2-5/16	3-11/32	13	9-27/32	3-11/32	31/32	1-1/2	1-1/4	6-1/2	2.7953	1.024	3/4	UC312-37		8.95
312-38	2-3/8												UC312-38		8.86
312-39	2-7/16												UC312-39		8.78
UCP313	65	90	340	260	90	25	38	33	176	75	30	M20	UC313	P313	10.51
313-40	2-1/2	3-35/64	13-3/8	10-1/4	3-17/32	31/32	1-1/2	1-5/16	6-15/16	2.9528	1.181	3/4	UC313-40		10.59
313-41	2-9/16												UC313-41		10.49
UCP314	70	95	360	280	90	27	40	35	187	78	33	M22	UC314	P314	12.04
314-42	2-5/8												UC314-42		12.26
314-43	2-11/16	3-47/64	14-3/16	11-1/32	3-17/32	1-1/16	1-9/16	1-3/8	7-3/8	3.0708	1.299	7/8	UC314-43		12.15
314-44	2-3/4												UC314-44		12.05
UCP315	75	100	380	290	100	27	40	35	198	82	32	M22	UC315	P315	14.51
315-45	2-13/16												UC315-45		14.78
315-46	2-7/8	3-15/16	14-31/32	11-13/32	3-15/16	1-1/16	1-9/16	1-3/8	7-25/32	3.2283	1.260	7/8	UC315-46		14.64
315-47	2-15/16												UC315-47		14.55
315-48	3												UC315-48		14.42
UCP316	80	106	400	300	110	27	40	40	210	86	34	M22	UC316	P316	17.59
316-49	3-1/16												UC316-49		17.76
316-50	3-1/8	4-11/64	15-3/4	11-13/16	4-11/32	1-1/16	1-9/16	1-9/16	8-9/32	3.3858	1.339	7/8	UC316-50		17.62
316-51	3-3/16												UC316-51		17.53
UCP317	85	112	420	320	110	33	45	40	220	96	40	M27	UC317	P317	19.36
317-52	3-1/4												UC317-52		19.58
317-53	3-5/16	4-13/32	16-17/32	12-19/32	4-11/32	1-5/16	1-25/32	1-9/16	8-21/32	3.7795	1.575	1	UC317-53		19.55
317-55	3-7/16												UC317-55		19.33
UCP318	90	118	430	330	110	33	45	45	235	96	40	M27	UC318	P318	22.47
318-55	3-7/16	4-41/64	16-15/16	13	4-11/32	1-5/16	1-25/32	1-25/32	9-1/4	3.7795	1.575	1	UC318-55		22.76
318-56	3-1/2												UC318-56		22.58
UCP319	95	125	470	360	120	36	50	45	250	103	41	M30	UC319	P319	27.84
319-58	3-5/8												UC319-58		28.17
319-59	3-11/16	4-59/64	18-1/2	14-3/16	4-23/32	1-13/32	1-31/32	1-25/32	9-27/32	4.0551	1.614	1-1/8	UC319-59		27.99
319-60	3-3/4												UC319-60		27.80
UCP320	100	140	490	380	120	36	50	50	275	108	42	M30	UC320	P320	33.76
320-64	4	5-33/64	19-9/32	14-31/32	4-23/32	1-13/32	1-31/32	1-31/32	10-53/64	4.252	1.6536	1-1/8	UC320-64		33.56
UCP322	110	150	520	400	140	40	55	55	300	117	46	M33	UC322	P322	45.25
		5-29/32	20-15/32	15-3/4	5-33/64	1-9/16	2-5/32	2-5/32	11-13/16	4.6063	1.8110				
UCP324	120	160	570	450	140	40	55	65	320	126	51	M33	UC324	P324	54.97
		6-19/64	22-7/16	17-23/32	5-33/64	1-9/16	2-5/32	2-21/32	12-19/32	4.9606	2.0079				
UCP326	130	180	600	480	140	40	55	75	355	135	54	M33	UC326	P326	71.48
		7-3/32	23-5/8	18-29/32	5-33/64	1-9/16	2-5/32	2-61/64	13-31/32	5.3150	2.1260				
UCP328	140	200	620	500	140	40	55	75	390	145	59	M33	UC328	P328	87.48
		7-7/8	24-13/32	19-11/16	5-33/64	1-9/16	2-5/32	2-61/64	15-23/64	5.7087	2.3228				

Ball Bearing Units

UCPH2 (Normal-duty)

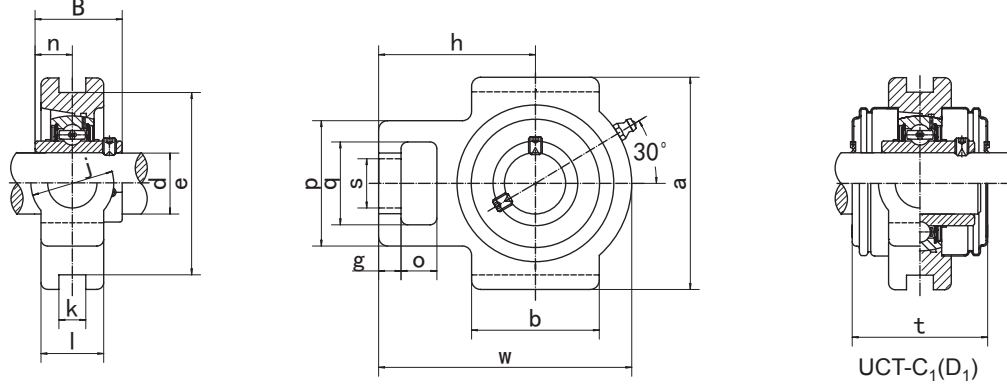


Pillow Blocks (with setscrews)

Unit NO.	Dimensions (mm / in.)											Bolt Size mm/in.	Bearing No.	Housing No.	Weight (kg)
	d	h	a	e	b	s ₁	s ₂	g	w	B	n				
UCPH201	12	70	127	95	40	13	19	15	101	31	12.7	M10	UC201	PH201	0.84
201-8	1/2	2-3/4	5	3-3/4	1-9/16	1/2	3/4	19/32	3-63/64	1.2205	0.500	3/8	UC201-8		0.83
UCPH202	15	70	127	95	40	13	19	15	101	31	12.7	M10	UC202	PH202	0.83
202-9	9/16	2-3/4	5	3-3/4	1-9/16	1/2	3/4	19/32	3-63/64	1.2205	0.500	3/8	UC202-9		0.83
202-10	5/8												UC202-10		0.83
UCPH203	17	70	127	95	40	13	19	15	101	31	12.7	M10	UC203	PH203	0.82
203-11	11/16	2-3/4	5	3-3/4	1-9/16	1/2	3/4	19/32	3-63/64	1.2205	0.500	3/8	UC203-11		0.81
UCPH204	20	70	127	95	40	13	19	15	101	31	12.7	M10	UC204	PH204	0.80
204-12	3/4	2-3/4	5	3-3/4	1-9/16	1/2	3/4	19/32	3-63/64	1.2205	0.500	3/8	UC204-12		0.80
UCPH205	25	80	140	105	50	13	19	16	114	34.1	14.3	M10	UC205	PH205	1.04
205-13	13/16												UC205-13		1.08
205-14	7/8	3-5/32	5-1/2	4-1/8	1-31/32	1/2	3/4	5/8	4-31/64	1.3425	0.563	3/8	UC205-14		1.07
205-15	15/16												UC205-15		1.05
205-16	1												UC205-16		1.04
UCPH206	30	90	161	121	50	17	21	17	130	38.1	15.9	M14	UC206	PH206	1.45
206-17	1-1/16												UC206-17		1.46
206-18	1-1/8	3-35/64	6-11/32	4-3/4	1-31/32	43/64	53/64	43/64	5-1/8	1.5000	0.626	1/2	UC206-18		1.47
206-19	1-3/16												UC206-19		1.45
206-20	1-1/4												UC206-20		1.44
UCPH207	35	95	166	127	60	17	21	18	140	42.9	17.5	M14	UC207	PH207	1.83
207-20	1-1/4												UC207-20		1.89
207-21	1-5/16	3-47/64	6-17/32	5	2-23/64	43/64	53/64	45/64	5-33/54	1.6890	0.689	1/2	UC207-21		1.86
207-22	1-3/8												UC207-22		1.83
207-23	1-7/16												UC207-23		1.80
UCPH208	40	100	178	137	70	17	21	19	150	49.2	19	M14	UC208	PH208	2.40
208-24	1-1/2	3-15/16	7-1/64	5-13/32	2-3/4	43/64	53/64	3/4	5-29/32	1.9370	0.748	1/2	UC208-24		2.44
208-25	1-9/16												UC208-25		2.41
UCPH209	45	105	189	146	70	17	21	20	158	49.2	19	M14	UC209	PH209	2.67
209-26	1-5/8												UC209-26		2.77
209-27	1-11/16	4-9/64	7-7/16	5-3/4	2-3/4	43/64	53/64	25/32	6-7/32	1.9370	0.748	1/2	UC209-27		2.37
209-28	1-3/4												UC209-28		2.69
UCPH210	50	110	205	159	70	20	23	21	165	51.6	19	M16	UC210	PH210	2.97
210-29	1-13/16												UC210-29		3.09
210-30	1-7/8	4-21/64	8-5/64	6-1/4	2-3/4	25/32	29/32	53/64	6-1/2	2.0315	0.748	5/8	UC210-30		3.04
210-31	1-15/16												UC210-31		2.99
210-32	2												UC210-32		2.95
UCPH211	55	120	219	171	75	20	23	22	181	55.6	22.2	M16	UC211	PH211	3.82
211-32	2												UC211-32		3.97
211-33	2-1/16	4-23/32	8-5/8	6-47/64	2-61/64	25/32	29/32	55/64	7-1/8	2.1890	0.874	5/8	UC211-33		3.87
211-34	2-1/8												UC211-34		3.91
211-35	2-3/16												UC211-35		3.80
UCPH212	60	130	241	184	85	20	23	25	197	65.1	25.4	M16	UC212	PH212	5.01
212-36	2-1/4												UC212-36		5.14
212-37	2-5/16	5-1/8	9-1/2	7-1/4	3-11/32	25/32	29/32	63/64	7-3/4	2.5630	1.000	5/8	UC212-37		5.06
212-38	2-3/8												UC212-38		4.99
212-39	2-7/16												UC212-39		4.92
UCPH213	65	140	265	203	95	25	28	27	212	65.1	25.4	M20	UC213	PH213	6.11
213-40	2-1/2	5-33/64	10-7/16	8	3-3/4	63/64	1-3/32	1-1/16	8-11/32	2.5630	1.000	3/4	UC213-40		6.20
213-41	2-9/16												UC213-41		6.11
UCPH214	70	150	266	210	105	25	28	28	225	74.6	30.2	M20	UC214	PH214	7.06
214-42	2-5/8												UC214-42		7.27
214-43	2-11/16	5-29/32	10-15/32	8-17/64	5-9/64	63/64	1-3/32	1-7/64	8-55/64	2.9370	1.189	3/4	UC214-43		7.17
214-44	2-3/4												UC214-44		7.07
UCPH215	75	160	275	217	115	25	28	29	238	77.8	33.3	M20	UC215	PH215	7.98
215-45	2-13/16												UC215-45		7.98
215-46	2-7/8	6-19/64	10-53/64	8-35/64	4-17/32	63/64	1-3/32	1-9/64	9-3/8	3.0630	1.311	3/4	UC215-46		8.23
215-47	2-15/16												UC215-47		8.12
215-48	3												UC215-48		7.92
UCPH216	80	170	292	232	125	25	28	30	253	82.6	33.3	M20	UC216	PH216	9.30
216-49	3-1/16												UC216-49		9.48
216-50	3-1/8	6-11/16	11-1/2	9-1/8	4-59/64	63/64	1-3/32	1-3/16	9-61/64	3.2520	1.311	3/4	UC216-50		9.35
216-51	3-3/16												UC216-51		9.22

Take-up Units

UCT2 (Normal-duty)

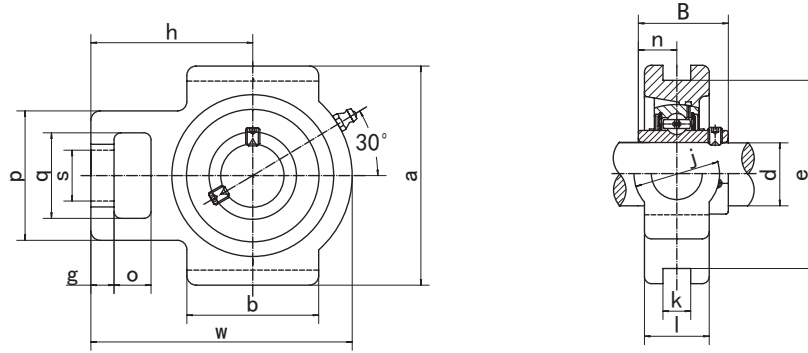


UCT-C₁(D₁)

Unit NO.	Dimensions (mm / in.)																	Bearing No.	Housing No.	Weight (kg)
	d	o	g	p	q	s	b	k	e	a	w	j	l	h	t	B	n			
UCT201 201-8	12 5/8	16 5/8	10 25/64	51 2-1/64	32 1-1/4	19 3/4	51 2-1/64	12 15/32	76 2-63/64	89 3-1/2	94 3-11/16	32 1-1/4	21 53/64	61 2-13/32	44.5 1-3/4	31 1.2205	12.7 0.500	UC201 UC201-8	T201	0.77 0.76
UCT202 202-9 202-10	15 9/16 5/8	16 5/8	10 25/64	51 2-1/64	32 1-1/4	19 3/4	51 2-1/64	12 15/32	76 2-63/64	89 3-1/2	94 3-11/16	32 1-1/4	21 53/64	61 2-13/32	44.5 1-3/4	31 1.2205	12.7 0.500	UC202 UC202-9 UC202-10	T202	0.76 0.76 0.76
UCT203 203-11	17 11/16	16 5/8	10 25/64	51 2-1/64	32 1-1/4	19 3/4	51 2-1/64	12 15/32	76 2-63/64	89 3-1/2	94 3-11/16	32 1-1/4	21 53/64	61 2-13/32	44.5 1-3/4	31 1.2205	12.7 0.500	UC203 UC203-11	T203	0.75 0.74
UCT204 204-12	20 3/4	16 5/8	10 25/64	51 2-1/64	32 1-1/4	19 3/4	51 2-1/64	12 15/32	76 2-63/64	89 3-1/2	94 3-11/16	32 1-1/4	21 53/64	61 2-13/32	44.5 1-3/4	31 1.2205	12.7 0.500	UC204 UC204-12	T204	0.73 0.73
UCT205 205-13 205-14 205-15 205-16	25 13/16 7/8 15/16 1	16 5/8	10 25/64	51 2-1/64	32 1-1/4	19 3/4	51 2-1/64	12 15/32	76 2-63/64	89 3-1/2	97 3-13/16	32 1-1/4	24 15/16	62 2-7/16	48 1-7/8	34.1 1.3425	14.3 0.563	UC205 UC205-13 UC205-14 UC205-15 UC205-16	T205	0.80 0.84 0.83 0.81 0.80
UCT206 206-17 206-18 206-19 206-20	30 1-1/16 1-1/8 1-3/16 1-1/4	16 5/8	10 25/64	56 2-7/32	37 1-29/64	22 55/64	57 2-1/4	12 15/32	89 3-1/2	102 4-1/64	113 4-29/64	37 1-29/64	28 1-3/32	70 2-3/4	53 2-3/32	38.1 1.5000	15.9 0.626	UC206 UC206-17 UC206-18 UC206-19 UC206-20	T206	1.22 1.23 1.24 1.22 1.21
UCT207 207-20 207-21 207-22 207-23	35 1-1/4 1-5/16 1-3/8 1-7/16	16 5/8	13 33/64	64 2-33/64	37 1-29/64	22 55/64	64 2-33/64	12 15/32	89 3-1/2	102 4-1/64	129 5-5/64	37 1-29/64	30 1-3/16	78 3-5/64	59.5 2-11/32	42.9 1.6890	17.5 0.689	UC207 UC207-20 UC207-21 UC207-22 UC207-23	T207	1.57 1.63 1.60 1.57 1.54
UCT208 208-24 208-25	40 1-1/2 1-9/16	19 3/4	16 5/8	83 3-17/64	49 1-15/16	29 1-9/64	83 3-17/64	16 5/8	102 4-1/64	114 4-31/64	144 5-43/64	49 1-15/16	33 1-19/64	89 3-1/2	69 2-23/32	49.2 1.9370	19 0.748	UC208 UC208-24 UC208-25	T208	2.31 2.35 2.32
UCT209 209-26 209-27 209-28	45 1-5/8 1-11/16 1-3/4	19 3/4	16 5/8	83 3-17/64	49 1-15/16	29 1-9/64	83 3-17/64	16 5/8	102 4-1/64	117 4-39/64	144 5-43/64	49 1-15/16	35 1-3/8	87 3-27/64	69 2-23/32	49.2 1.9370	19 0.748	UC209 UC209-26 UC209-27 UC209-28	T209	2.34 2.44 2.40 2.36
UCT210 210-29 210-30 210-31 210-32	50 1-13/16 1-7/8 1-15/16 2	19 3/4	16 5/8	83 3-17/64	49 1-15/16	29 1-9/64	86 3-17/64	16 5/8	102 4-1/64	117 4-39/64	149 5-55/64	49 1-15/16	37 1-29/64	90 3-35/64	74.5 2-15/16	51.6 2.0315	19 0.748	UC210 UC210-29 UC210-30 UC210-31 UC210-32	T210	2.47 2.59 2.54 2.49 2.45
UCT211 211-32 211-33 211-34 211-35	55 2 2-1/16 2-1/8 2-3/16	25 63/64	19 3/4	102 4-1/64	64 2-1/32	35 1-3/8	95 3-3/4	22 55/64	130 5-1/8	146 5-3/4	171 6-47/64	64 2-33/64	38 1-1/2	106 4-11/64	76 3	55.6 2.1890	22.2 0.874	UC211 UC211-32 UC211-33 UC211-34 UC211-35	T211	3.74 3.89 3.83 3.79 3.72
UCT212 212-36 212-37 212-38 212-39	60 2-1/4 2-5/16 2-3/8 2-7/16	32 1-17/64	19 3/4	102 4-1/64	64 2-1/32	35 1-3/8	102 4-1/64	22 55/64	130 5-1/8	146 5-3/4	194 7-41/64	64 2-33/64	42 1-21/32	119 4-11/16	89 3-1/2	65.1 2.5630	25.4 1.000	UC212 UC212-36 UC212-37 UC212-38 UC212-39	T212	4.58 4.71 4.63 4.56 4.49
UCT213 213-40 213-41	65 2-1/2 2-9/16	32 1-17/64	21 53/64	111 4-3/8	70 2-3/4	41 1-39/64	121 4-49/64	26 1-1/32	151 5-15/16	167 6-37/64	224 8-13/16	70 2-3/4	44 1-23/32	137 5-25/64	89 3-1/2	65.1 2.5630	25.4 1.000	UC213 UC213-40 UC213-41	T213	6.60 6.69 6.60
UCT214 214-42 214-43 214-44	70 2-5/8 2-11/16 2-3/4	32 1-17/64	21 53/64	111 4-3/8	70 2-3/4	41 1-39/64	121 4-49/64	26 1-1/32	151 5-15/16	167 6-37/64	224 8-13/16	70 2-3/4	46 1-13/16	137 5-25/64	98 3-55/64	74.6 2.937	30.2 1.189	UC214 UC214-42 UC214-43 UC214-44	T214	6.74 6.95 6.85 6.75
UCT215 215-45 215-46 215-47 215-48	75 2-13/16 2-7/8 2-15/16 3	32 1-17/64	21 53/64	111 4-3/8	70 2-3/4	41 1-39/64	121 4-49/64	26 1-1/32	151 5-15/16	167 6-37/64	232 9-9/64	70 2-3/4	48 1-57/64	140 5-33/64	99 3-57/64	77.8 3.0630	33.3 1.311	UC215 UC215-45 UC215-46 UC215-47 UC215-48	T215	7.19 7.19 7.44 7.33 7.13
UCT216 216-49 216-50 216-51	80 3-1/16 3-1/8 3-3/16	32 1-17/64	21 53/64	111 4-3/8	70 2-3/4	41 1-39/64	121 4-49/64	26 1-1/32	165 6-1/2	184 7-1/4	235 9-1/4	70 2-3/4	51 2	140 5-33/64	109 4-19/64	82.6 3.2520	33.3 1.311	UC216 UC216-49 UC216-50 UC216-51	T216	8.08 8.26 8.13 8.00
UCT217 217-52 217-53 217-55	85 3-1/4 3-5/16 3-7/16	38 1-1/2	29 1-9/64	124 4-7/8	73 2-7/8	48 1-57/64	157 6-3/16	30 1-3/16	173 6-13/16	198 7-51/64	260 10-15/64	73 2-7/8	54 2-1/8	162 6-3/8	113.2 4-29/64	85.7 3.3740	34.1 1.343	UC217 UC217-52 UC217-53 UC217-55	T217	10.66 10.78 10.74 10.45
UCT218 218-56	90 3-1/2	40 1-37/64	30 1-3/16	130 5-1/8	80 3-5/32	48 1-57/64	140 5-35/64	30 1-3/16	190 7-31/64	215 8-15/32	275 10-53/64	80 3-5/32	55 2-11/64	170 6-11/16	123 4-27/32	96 3.7795	39.7 1.563	UC218 UC218-56	T218	12.19 12.30

Take-up Units

UCT3 (Heavy-duty)



Unit NO.	Dimensions (mm / in.)																Bearing No.	Housing No.	Weight (kg)
	d	o	g	p	q	s	b	k	e	a	w	j	l	h	B	n			
UCT305	25	16	14	62	36	26	65	12	80	89	122	36	26	76	38	15	UC305	T305	1.20
305-13	13/16																UC305-13		
305-14	7/8	5/8	9/16	2-7/16	1-13/32	1-1/32	2-9/16	0.472	3-5/32	3-1/2	4-13/16	1-13/32	1-1/32	3	1.4961	0.591	UC305-14		
305-15	15/16																UC305-15		
305-16	1																UC305-16		
UCT306	30	18	16	70	41	28	74	16	90	100	137	41	28	85	43	17	UC306	T306	1.70
306-17	1-1/16																UC306-17		
306-18	1-1/8	23/32	5/8	2-3/4	1-5/8	1-3/32	2-29/32	0.630	3-35/64	3-15/16	5-13/32	1-5/8	1-3/32	3-11/32	1.6929	0.669	UC306-18		
306-19	1-3/16																UC306-19		
UCT307	35	20	17	75	45	30	80	16	100	111	150	45	32	94	48	19	UC307	T307	2.30
307-20	1-1/4																UC307-20		
307-21	1-5/16																UC307-21		
307-22	1-3/8	12/32	43/64	2-15/16	1-25/32	1-3/16	3-5/32	0.630	3-15/16	4-3/8	5-29/32	1-25/32	1-1/4	3-11/16	1.8898	0.748	UC307-22		
307-23	1-7/16																UC307-23		
UCT308	40	22	19	83	50	32	89	18	112	124	162	50	34	100	52	19	UC308	T308	2.90
308-24	1-1/2	7/8	3/4	3-17/64	1-31/32	1-1/4	3-1/2	0.709	4-13/32	4-7/8	6-3/8	1-31/32	1-11/32	3-15/16	2.0472	0.7480	UC308-24		
308-25	1-9/16																UC308-25		
UCT309	45	24	20	90	55	34	97	18	125	138	178	55	38	110	57	22	UC309	T309	4.00
309-26	1-5/8																UC309-26		
309-27	1-11/16	15/16	25/32	3-17/32	2-5/32	1-11/32	3-13/16	0.709	4-59/64	5-7/16	7	2-5/32	1-1/2	4-11/32	2.2441	0.8660	UC309-27		
309-28	1-3/4																UC309-28		
UCT310	50	27	22	98	61	37	106	20	140	151	192	61	40	118	61	22	UC310	T310	5.00
310-29	1-13/16																UC310-29		
310-30	1-7/8	1-1/16	7/8	3-27/32	2-13/32	1-15/32	4-3/16	0.787	5-33/64	5-15/16	7-9/16	2-13/32	1-9/16	4-21/32	2.4016	0.8660	UC310-30		
310-31	1-15/16																UC310-31		
UCT311	55	29	23	105	66	39	115	22	150	163	207	66	44	127	66	25	UC311	T311	6.20
311-32	2																UC311-32		
311-33	2-1/16	1-5/32	29/32	4-1/8	2-19/32	1-17/32	4-17/32	0.866	5-29/32	6-13/32	8-5/32	2-19/32	1-23/32	5	2.5984	0.9840	UC311-33		
311-34	2-1/8																UC311-34		
311-35	2-3/16																UC311-35		
UCT312	60	31	25	113	71	41	123	22	160	178	220	71	46	135	71	26	UC312	T312	7.50
312-36	2-1/4																UC312-36		
312-37	2-5/16	1-7/32	31/32	4-7/16	2-25/32	1-5/8	4-27/32	0.866	6-19/64	7	8-21/32	2-25/32	1-13/16	5-5/16	2.7953	1.0240	UC312-37		
312-38	2-3/8																UC312-38		
312-39	2-7/16																UC312-39		
UCT313	65	32	27	116	70	43	134	26	170	190	238	80	50	146	75	30	UC313	T313	9.30
313-40	2-1/2	1-17/64	1-1/16	4-9/16	2-3/4	1-11/16	5-9/32	1.024	6-11/16	7-15/32	9-3/8	3-5/32	1-31/32	5-3/4	2.9528	1.1810	UC313-40		
313-41	2-9/16																UC313-41		
UCT314	70	36	27	130	85	46	140	26	180	202	252	90	52	155	78	33	UC314	T314	10.90
314-42	2-5/8																UC314-42		
314-43	2-11/16	1-13/32	1-1/16	5-1/8	3-11/32	1-13/16	5-1/2	1.024	7-3/32	7-15/16	9-29/32	3-17/32	2-1/16	6-3/32	3.0708	1.2990	UC314-43		
314-44	2-3/4																UC314-44		
UCT315	75	36	27	132	85	46	150	26	192	216	262	90	55	160	82	32	UC315	T315	12.70
315-45	2-13/16																UC315-45		
315-46	2-7/8	1-13/32	1-1/16	5-3/16	3-11/32	1-13/16	5-29/32	1.024	7-9/16	8-1/2	10-5/16	3-17/32	2-5/32	6-5/16	3.2283	1.2600	UC315-46		
315-47	2-15/16																UC315-47		
315-48	3																UC315-48		
UCT316	80	42	30	150	98	53	160	30	204	230	282	102	60	174	86	34	UC316	T316	15.80
316-49	3-1/16																UC316-49		
316-50	3-1/8	1-21/32	1-3/16	5-29/32	3-27/32	2-3/32	6-5/16	1.181	8-1/32	9-1/16	11-3/32	4-1/32	2-3/8	6-27/32	3.3858	1.2600	UC316-50		
316-51	3-3/16																UC316-51		
UCT317	85	42	32	152	98	53	170	32	214	240	298	102	64	183	96	40	UC317	T317	18.60
317-52	3-1/4																UC317-52		
317-53	3-5/16	1-21/32	1-1/4	5-31/32	3-27/32	2-3/32	6-11/16	1.260	8-27/64	9-7/16	11-23/32	4-1/32	2-17/32	7-7/32	3.7795	1.5750	UC317-53		
317-55	3-7/16																UC317-55		
UCT318	90	46	32	160	106	57	175	32	228	255	312	110	66	192	96	40	UC318	T318	21.00
318-55	3-7/16	1-13/16	1-1/4	6-5/16	4-3/16	2-1/4	6-7/8	1.260	8-31/32	10-1/32	12-9/32	4-11/32	2-19/32	7-9/16	3.7795	1.5750	UC318-55		
318-56	3-1/2																UC318-56		
UCT319	95	46	33	165	106	57	180	35	240	270	322	110	72	197	103	41	UC319	T319	24.60
319-58	3-5/8																UC319-58		
319-59	3-11/16	1-13/16	1-5/16	6-1/2	4-3/16	2-1/4	7-3/32	1.378	9-29/64	10-5/8	12-11/16	4-11/32	2-27/32	7-3/4	4.0551	1.6140	UC319-59		
317-60	3-3/4																UC317-60		
UCT320	100	48	32	175	115	59	200	35	260	290	345	120	75	210	108	42	UC320	T320	29.90
320-64	4	1-7/8	1-1/4	6-7/8	4-17/32	2-21/64	7-7/8	1.378	10-15/64	11-13/32	13-19/32	4-23/32	2-15/16	8-9/32	4.2519	1.6535	UC320-64		
UCT322	110	52	38	185	125	65	215	38	285	320	385	130	80	235	117	46	UC322	T322	39.40
		2-11/16	1-1/2	7-9/32	4-29/32	2-9/16	8-15/32	1.496	11-7/32	12-19/32	15-5/32	5-1/8	3-5/32	9-1/4	4.6063	1.8110			
UCT324	120	60	42	210	140	70	230	45	320	355	432	140	90	267	126	51	UC324	T324	54.20
		2-3/8	1-21/32	8-9/32	5-1/2	2-3/4	9-1/16	1.772	12-19/32	13-31/32	17	5-1/2	3-17/32	10-1/2	4.9606	2.0079			
UCT326	130	65	45	220	150	75	240	50	350	385	465	150	100	285	135	54	UC326	T326	68.40
		2-9/16	1-25/32	8-21/32	5-29/32	2-31/32	9-7/16	1.969	13-25/32	15-5/32	18-5/16	5-29/32	3-15/16	11-7/32	5.3150	2.1260			
UCT328	140	70	50	230	160	80	255	50	380	415	515	155	100	315	145	59	UC328	T328	82.90
		2-3/4	1-31/32	9-1/16	6-5/16	3-5/32	10-												